

CONTENTS

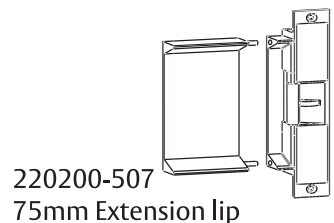
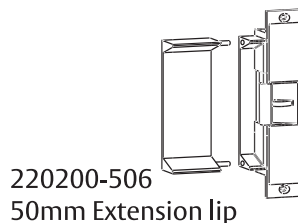
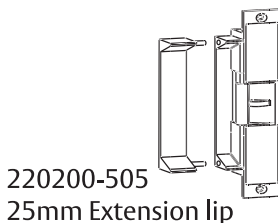
Before starting the installation, ensure that all components listed below are supplied:

- 1x ES2100 Series Electric Strike
- 1x screw kit
- 1x mounting kit
- 1x warranty information
- 1x installation instructions
- 1x strike template

ACCESSORIES (FACEPLATES AND EXTENSION LIPS)

Additional accessories are available for optional mounting & spare parts (not supplied):

| | |
|----------------|---|
| 210100-541 | 13mm Rebate plate |
| 220200-519 | Mounting kit |
| SP3570-2100SSS | Magnet faceplate for 3570 Series Mortice Locks - Timber Door |
| 3772-2100SS | Magnet faceplate for 3770 Series Mortice Locks - Timber Door |
| 3772AF-2100SS | Magnet faceplate for 3770 Series Mortice Locks - Aluminium Door |
| 3782-2100SS | Magnet faceplate for 3782 Series Mortice Locks - Aluminium Door |
| 3782TF-2100SS | Magnet faceplate for 3782 Series Mortice Locks - Timber Door |



IMPORTANT SAFETY INSTRUCTIONS AND WARNINGS

1. Read and follow all instructions prior to installing and using this product.
2. These instructions or a full copy of these instructions should be provided to the user.
3. These instructions should be kept by the end user for future reference.
4. Obey and heed all warnings on the product and in the manual.
5. Ensure the functionality, specification and configuration of the ES9000 Series Electric Strike is befitting for the intended application and environment. This may include in the event of a power failure and the ability to exit any building access point in an emergency.
6. Do not use this unit near excess water or moisture not typical to natural rainfall and installation practices i.e., installed in a door frame/enclosure.
7. Do not use this unit in environments with excessive in-air dust that could accumulate and prevent correct operation.
8. Avoid prolonged exposure to direct sunlight or heat.
9. This product is not suitable for environments with explosive or flammable atmospheres.
10. Only use attachments, accessories and fixings as specified by the manufacturer.
11. Clean with a dry cloth only, do not use chemicals.
12. Refer all servicing to qualified service personnel. Servicing or replacement is required when the unit has been damaged. This may include either mechanical or electrical issues. This may also include ingress of liquid spilled or objects which have fallen into the unit or if the unit has been exposed to excessive rain or moisture and no longer operates normally. Do not attempt to service this product yourself.
13. Opening or removing covers may expose you to dangerous voltages or other hazards.
14. To prevent risk of fire or electric shock ensure the power supply or system is suitable for this product in addition to any other units already sharing the same power supply or system.
15. Do not let objects or liquids enter the product as they may prevent correct operation, possibly preventing door access or short-out parts that could result in a fire or electric shock.
16. Modification of this product in any way may affect both its functionality and compliance status and will void any warranty and claim to compliance, ratings or performance.
17. Ensure the correct power supply is connected.
DO NOT connect AC mains power to this product.

IMPORTANT INSTALLATION AND FIXING INSTRUCTIONS

1. Ensure the Electric Strike meets your physical (dimensions), grade/rating and electrical specification before going any further. It is recommended to verify that the door & door frame construction allows the use of the device.
2. Before fitting the Electric Strike to a fire/smoke resisting door, the fire certification should be examined to ensure the suitability of the Electric Strike for that door assembly.
3. Before fitting this product, the door should be checked to ensure correct hanging and freedom from binding.
4. The Electric Strike shall be installed using the specified fasteners and instructions for the door type and installation the Electric Strike is designed for.
5. This product is designed for timber or metal door frames.
6. This Electric Strike cannot be used on double action (double swing) doors.
7. Care shall be taken to ensure that any seal or weather-stripping fitted to the complete assembly, does not inhibit the correct operations of the Electric Strike.
8. Fixing instructions must be carefully followed during installation. The instructions and any maintenance instructions must be passed on by the installer to the user.
9. All components specified for the intended installation shall be fitted to ensure compliance.
10. It is important to follow the instructions precisely to ensure the lock and strike plate are correctly positioned.

Note: Our Electric Strike will provide a high degree of safety and reasonable security provided it is fitted to door frames that are suitable and in good condition.

INSTALLATION INSTRUCTIONS

DRAWINGS NOT TO SCALE. INFORMATION IN THIS DATASHEET MAY BE CHANGED WITHOUT NOTICE.

IMPORTANT NOTE: Ensure any rebate strips or door stops are fitted before proceeding. Electric Strike must NOT be used as the only form of door stop.

This product has been designed for use in weather protected areas, and is NOT suitable for use in hazardous (flammable or explosive) atmospheres.

The Electric Strike is designed to be installed vertically.

Always ensure the correct transformer and cable guide is specified and used.

| Electrical specifications | |
|---------------------------|---------------------------|
| Voltage supply | 10VDC to 30VDC |
| Current draw | 12VDC, 200mA after 1 sec. |
| | 24VDC, 105mA after 1 sec. |
| Operation temperature | -20°C to +60°C @ 90% RH |

Circuit protection: The ES2100 Series Electric Strike has reverse polarity and back EMF protection. No external protection diode is required. Solenoid is continuously rated. Unit is factory tested to 10-30VDC.

CAUTION! Incorrect supply voltage may cause damage not covered by warranty.

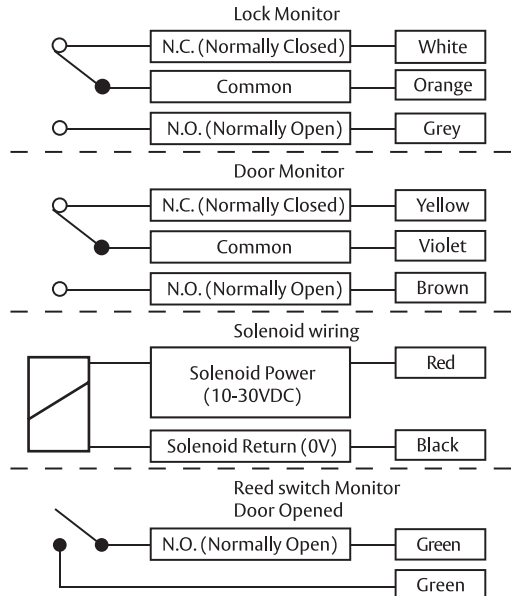
Please check supply voltage with a suitable meter to ensure voltage is within $\pm 15\%$ of nominal voltage of 12VDC to 24VDC with the strike powered.

**This product has been designed for use in weather protected areas only.
DO NOT OIL OR LUBRICATE.**

WIRING NOTES

The ES2100 Series Electric Strike has changeover microswitches (max. rating: 125 VAC, 3 A / 60 VDC, 200 mA) to monitor the latch and lock status.

The wiring diagram for the monitoring schematic is shown below and on the back of the lock.



| Cable gauge requirements | | | | | |
|--------------------------|---------------------|---------------------|----------|---------------------|---------------------|
| Distance | Cable cross section | American wire gauge | Distance | Cable cross section | American wire gauge |
| 5m | 0.33mm ² | AWG22 | 20m | 1.31mm ² | AWG16 |
| 10m | 0.65mm ² | AWG19 | 30m | 1.63mm ² | AWG14 |
| 15m | 1.04mm ² | AWG17 | 50m | 2.05mm ² | AWG12 |

Power to Lock (PTL) to Power To Open (PTO) conversion.

Loosen mode change screws.

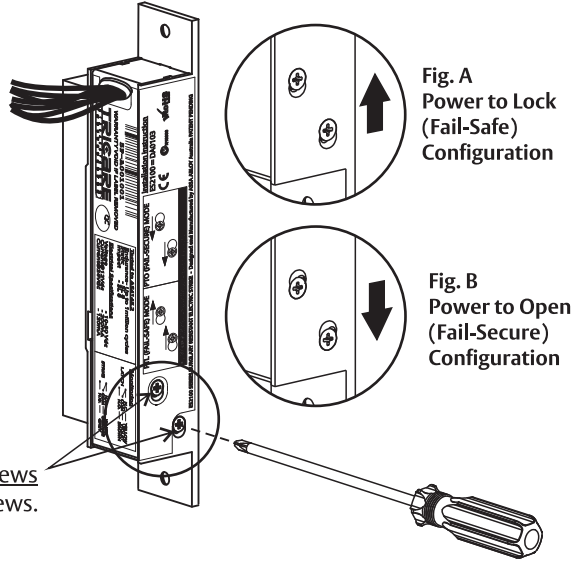
Factory default setting is Power to Lock (PTL)

- Slide screws into desired position as shown:

Power to Lock Fig. A

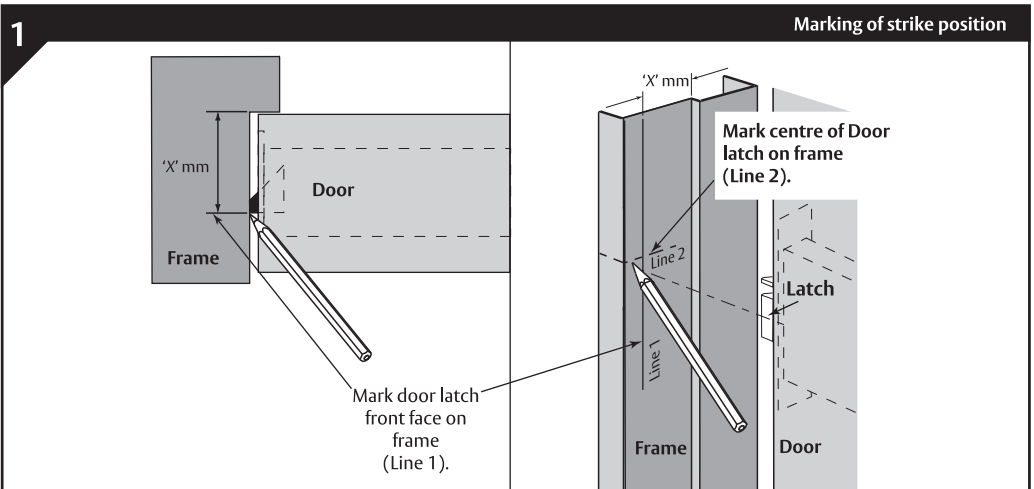
Power to Open Fig. B

- Retighten mode change screws firmly.



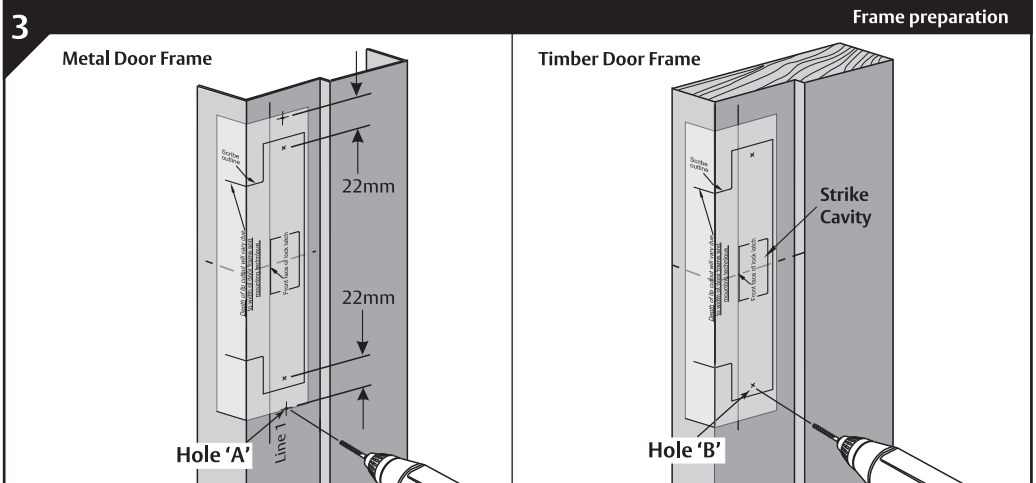
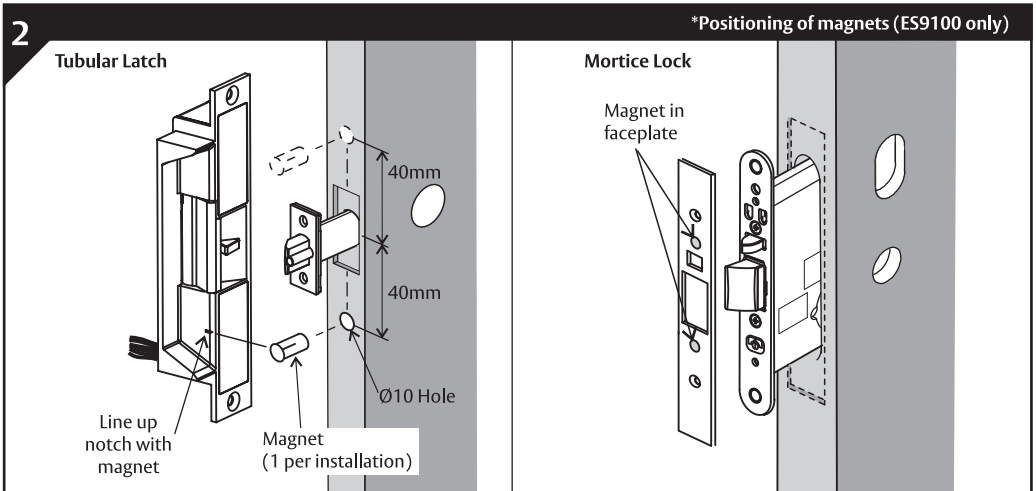
DOOR AND FRAME PREPARATION

1. To enable the Electric Strike to be located in the door frame, first mark the position of the door latch front face on the door frame with the door in the closed position ('X' mm).
2. Mark where the centre of the latch meets the door frame:
 - For new installations, mark frame where front of latch touches the door frame at the midpoint of the latch bolt.
 - For retrofit installations, remove existing strike plate and ensure the latch fits into and is centred in the existing hole.



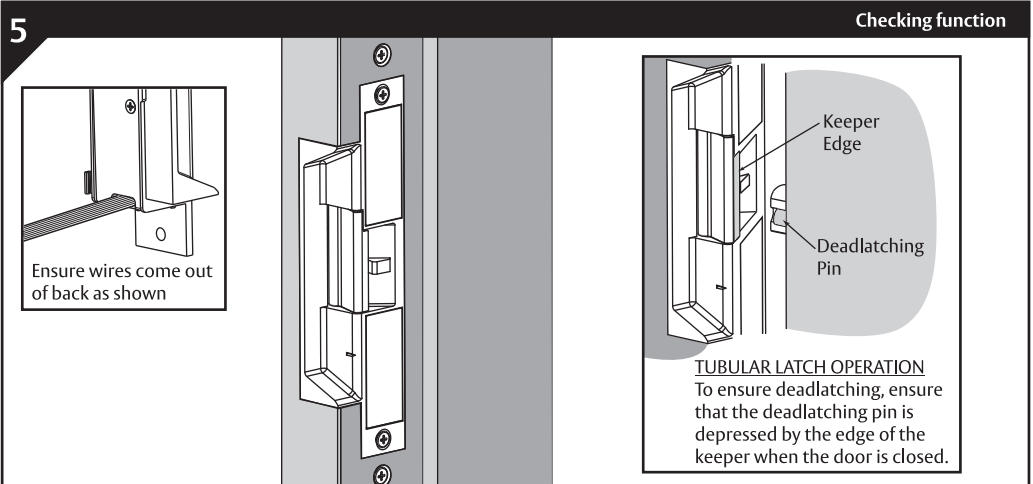
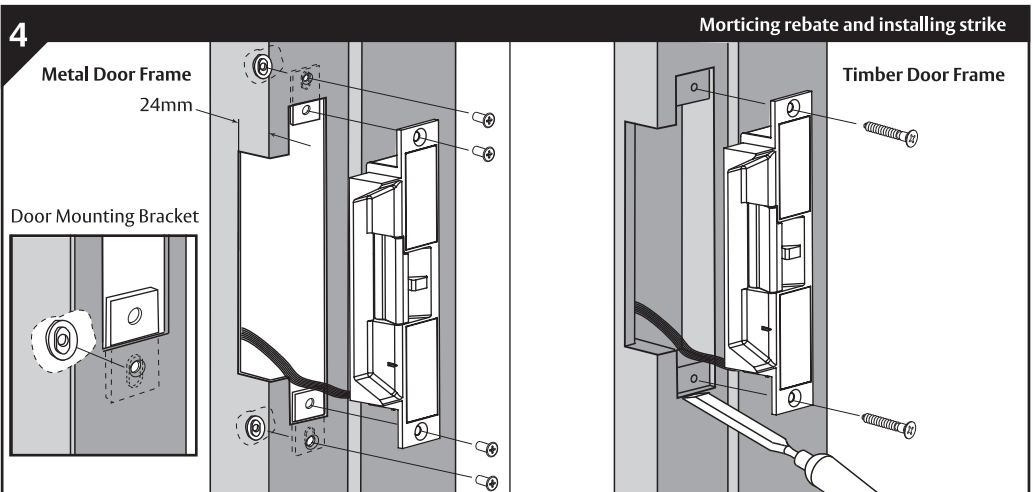
DOOR AND FRAME PREPARATION (CONTINUED)

3. Establish the position of the magnet on the door face.
For tubular latches, align the magnet with the notch in the strike body. Drill a 10mm hole centrally in the door face and press fit magnet into position.
4. For mortice lock applications, mount faceplate (sold separately) onto mortice lock. Ensure latch and strike position are as per previous instruction.
5. Peel backing off adhesive template and centrally locate in the marked position, lining up both the mark for the door latch front face (Line 1) and the centre mark of the latch (Line 2).
6. For the metal frame, drill two Ø5mm holes (A) 22mm above and below the 'X' mark on the template. For a timber frame, drill two Ø3mm holes (B).
7. Ensure secondary bolt is not within strike cavity.
8. Using the template as a guide, mortice out the door frame to the required size.
9. Countersink holes in metal frame to accept screws.



MORTICE INSTALLATION (CONTINUED)

10. For wider framed doors, an Extension Lip may be required.
Refer to Accessories section for sizes and part numbers.
11. For metal door frames, fit door mounting brackets.
12. Once door frame preparation is complete, temporarily fit strike into door frame to check for interference. Check that the door closes smoothly and that the latch extends fully past the strike keeper.
13. When strike operates correctly with latch, remove strike from mortice and connect wiring.
14. Refit strike and secure, making sure no wires are being crushed.
15. Check both mechanical and electronic operations work correctly.



MAINTENANCE

Clean the external surfaces with a dry cloth only, do not use chemicals.

FAULTS, REPAIRS & RETURNS

This product contains no user serviceable parts. Please contact your local supplier.

STORAGE AND TRANSPORT

The product should be transported and stored in its original packaging.

DISMANTLE & ENVIRONMENT

Dispose of packaging and product in a responsible manner, this may include recycling at your nearest recycling centre. Including the re-use and recycling of the materials & packaging of this product. Contact your local authority to find the nearest electrical and electronic equipment waste disposal point. This product must not be disposed of with regular household waste.

CERTIFICATION AND CONTACT DETAILS

EU CE DECLARATION OF CONFORMITY (DoC)

Hereby, ASSA ABLOY Australia Pty Ltd declares that the ES2100 Series Electric Strike is in compliance with the CE Directives including the Electromagnetic Compatibility (EMC) directive, Restriction of Hazardous Substances (RoHS) directive & Registration, Evaluation, Authorisation and Restriction of Chemicals (REACH) Regulation.

The full text of the EU declaration of conformity is available at www.trimec.com.au/au/en/products/electric-strikes/es2100-series-monitored-electric-strike1

UKCA DECLARATION OF CONFORMITY (DoC)

Hereby, ASSA ABLOY Australia Pty Ltd declares that the ES2100 Series Electric Strike is in compliance with the United Kingdom (UK) legislations including the Electromagnetic Compatibility, Restriction of the Use of Certain Hazardous Substances in Electrical and Electronic Equipment & the Registration, Evaluation, Authorisation and Restriction of Chemicals (REACH) Regulations.

The full text of the UKCA declaration of conformity is available at www.trimec.com.au/au/en/products/electric-strikes/es2100-series-monitored-electric-strike1

RCM Australia & New Zealand

Hereby, ASSA ABLOY Australia Pty Ltd declares that the ES2100 Series Electric Strike is in compliance with the Regulatory Compliance Mark (RCM) for Australia and New Zealand.

Manufacturer details

ASSA ABLOY Australia Pty Ltd.
235 Huntingdale Road, Melbourne
Victoria, 3166, Australia
Phone: 1300 LOCK UP (1300 562 587)
www.assaabloyopeningsolutions.com.au

UK Representative

ASSA ABLOY Opening Solutions
School Street, Willenhall, West Midlands
WV13 3PW, United Kingdom
www.assaabloyopeningsolutions.com.uk

