

CONTENTS

Before starting the installation, ensure that all components listed below are supplied:

- 1x ES2600 Series Electric Strike
- 1x screw kit
- 1x warranty information
- 1x installation instructions
- 1x diode

ACCESSORIES

Additional accessories are available for optional mounting & spare parts (not supplied):

None

IMPORTANT SAFETY INSTRUCTIONS AND WARNINGS

1. Read and follow all instructions prior to installing and using this product.
2. These instructions or a full copy of these instructions should be provided to the user.
3. These instructions should be kept by the end user for future reference.
4. Obey and heed all warnings on the product and in the manual.
5. Ensure the functionality, specification and configuration of the ES2600 Series Electric Strike is befitting for the intended application and environment. This may include in the event of a power failure and the ability to exit any building access point in an emergency.
6. Do not use this unit near excess water or moisture not typical to natural rainfall and installation practices i.e., installed in a door frame/enclosure.
7. Do not use this unit in environments with excessive in-air dust that could accumulate and prevent correct operation.
8. Avoid prolonged exposure to direct sunlight or heat.
9. This product is not suitable for environments with explosive or flammable atmospheres.
10. Only use attachments, accessories and fixings as specified by the manufacturer.
11. Clean with a dry cloth only, do not use chemicals.
12. Refer all servicing to qualified service personnel. Servicing or replacement is required when the unit has been damaged. This may include either mechanical or electrical issues. This may also include ingress of liquid spilled or objects which have fallen into the unit or if the unit has been exposed to excessive rain or moisture and no longer operates normally. Do not attempt to service this product yourself.
13. Opening or removing covers may expose you to dangerous voltages or other hazards.
14. To prevent risk of fire or electric shock ensure the power supply or system is suitable for this product in addition to any other units already sharing the same power supply or system.
15. Do not let objects or liquids enter the product as they may prevent correct operation, possibly preventing door access or short-out parts that could result in a fire or electric shock.
16. Modification of this product in any way may affect both its functionality and compliance status and will void any warranty and claim to compliance, ratings or performance.
17. Ensure the correct power supply is connected.
DO NOT connect AC mains power to this product.

IMPORTANT INSTALLATION AND FIXING INSTRUCTIONS

1. Ensure the Electric Strike meets your physical (dimensions), grade/rating and electrical specification before going any further. It is recommended to verify that the door & door frame construction allows the use of the device.
2. Before fitting the Electric Strike to a fire/smoke resisting door, the fire certification should be examined to ensure the suitability of the Electric Strike for that door assembly.
3. Before fitting this product, the door should be checked to ensure correct hanging and freedom from binding.
4. The Electric Strike shall be installed using the specified fasteners and instructions for the door type and installation the Electric Strike is designed for.
5. This product is designed for timber or metal door frames.
6. This Electric Strike cannot be used on double action (double swing) doors.
7. Care shall be taken to ensure that any seal or weather-stripping fitted to the complete assembly, does not inhibit the correct operations of the Electric Strike.
8. Fixing instructions must be carefully followed during installation. The instructions and any maintenance instructions must be passed on by the installer to the user.
9. All components specified for the intended installation shall be fitted to ensure compliance.
10. It is important to follow the instructions precisely to ensure the lock and strike plate are correctly positioned.

Note: Our Electric Strike will provide a high degree of safety and reasonable security provided it is fitted to door frames that are suitable and in good condition.

INSTALLATION INSTRUCTIONS

DRAWINGS NOT TO SCALE. INFORMATION IN THIS DATASHEET MAY BE CHANGED WITHOUT NOTICE.

IMPORTANT NOTE: Ensure any rebate strips or door stops are fitted before proceeding. Electric Strike must NOT be used as the only form of door stop.

This product has been designed for use in weather protected areas, and is NOT suitable for use in hazardous (flammable or explosive) atmospheres.

The Electric Strike is designed to be installed vertically.

SETTING LOCK FUNCTION

Set the strike to Power-to-Lock (PTL) or Power-to-Open (PtO).

To change the electric strike's mode of lock operation, remove the electric strike from the faceplate

Remove the back cover and the two screws securing the solenoid.

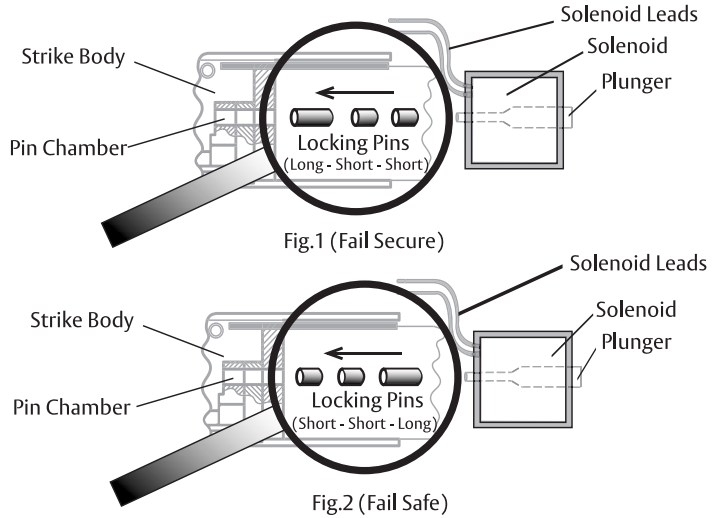
Remove solenoid from strike housing, and invert the strike. This will release three locking pins from the strike and keeper chambers.

Re-insert the pins as shown in the diagrams for desired mode of lock operation (Fail Secure/PTO: See Fig 1; (Fail Safe/PTL: See Fig 2).

Place solenoid back in strike housing, and secure with solenoid screws. Press strike back cover into position.

CAUTION!

When removing solenoid, please be mindful to keep the plunger in the solenoid as it is not secured, and may be easily misplaced.



ELECTRICAL SPECIFICATIONS

Always ensure the correct transformer and cable guide is specified and used.

Electrical specifications	
Voltage supply	12VDC
Current draw	12VDC, 175mA after 1 sec.
Operation temperature	-20°C to +60°C @ 90% RH

Circuit protection: Please install the protection diode for reverse polarity and back EMF protection.

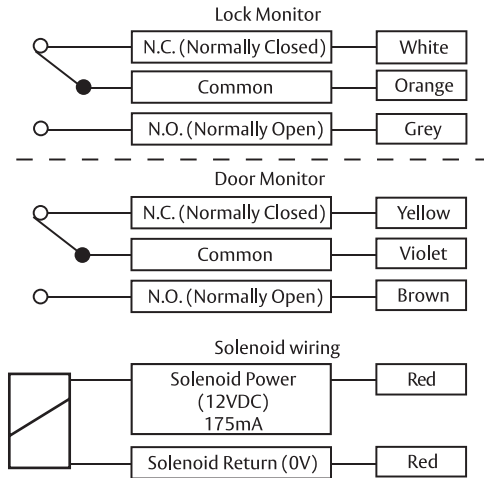
CAUTION! Incorrect supply voltage may cause damage not covered by warranty.

Please check supply voltage with a suitable meter to ensure voltage is within $\pm 15\%$ of nominal voltage of 12VDC with the strike powered.

This product has been designed for use in weather protected areas only.
DO NOT OIL OR LUBRICATE.

The ES2600 Series Electric Strike has changeover microswitches (max. rating: 125 VAC, 3 A/60VDC, 200mA) to monitor the latch and lock status.

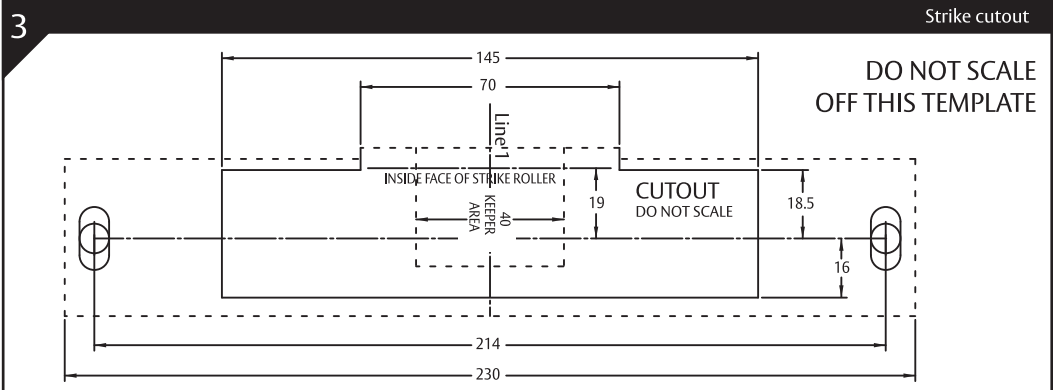
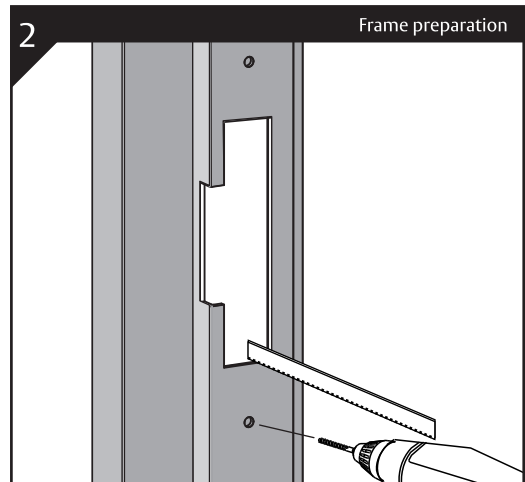
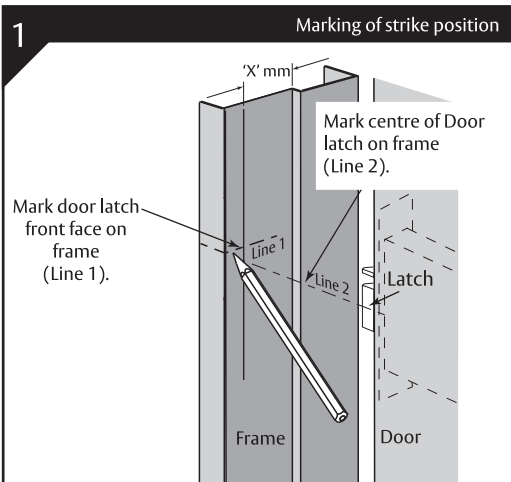
The wiring diagram schematic is as shown.



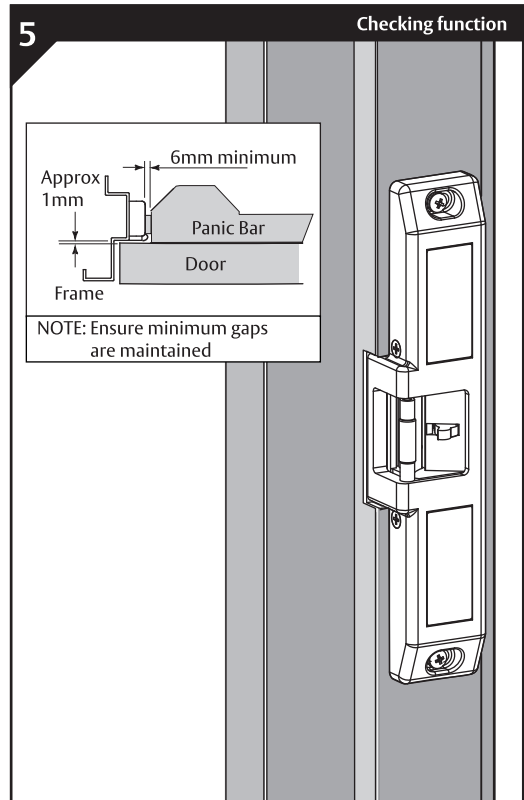
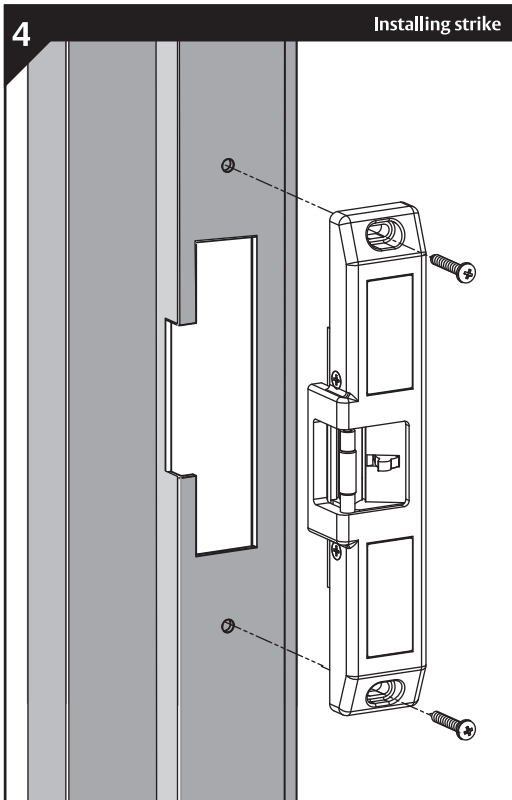
Cable gauge requirements					
Distance	Cable cross section	American wire gauge	Distance	Cable cross section	American wire gauge
5m	0.33mm ²	AWG22	20m	1.31mm ²	AWG16
10m	0.65mm ²	AWG19	30m	1.63mm ²	AWG14
15m	1.04mm ²	AWG17	50m	2.05mm ²	AWG12

DOOR AND FRAME PREPARATION

1. To enable the Electric Strike to be located in the door frame, first mark the position of the door latch front face on the door frame with the door in the closed position ('X' mm).
2. Mark where the centre of the latch meets the door frame:
 - For new installations, mark frame where front of latch touches the door frame at the midpoint of the latch bolt.
 - For retrofit installations, remove existing strike plate and ensure the latch fits into and is centred in the existing hole.
3. Profile the door jamb using dimensions on this page or the actual body of the strike as the template. Mark the hole positions.
4. Position the strike and check the hole locations.
5. Drill the two fixing holes, and then make the cutout for the strike body. Remove any sharp edges from the cutout.
6. Use the Strike plate details provided with the Panic Bar if applicable.
7. Profile the door jamb using the dimensions on this page or the actual body of the strike as a template.



8. For metal door frames, fit door mounting brackets.
9. Once door frame preparation is complete, temporarily fit strike into door frame to check for interference. Check that the door closes smoothly and that the latch extends fully past the strike keeper.
10. When strike operates correctly with latch, remove strike from mortice and connect wiring.
11. Refit strike and secure, making sure no wires are being crushed.
12. Check both mechanical and electronic operations work correctly.



MAINTENANCE

Clean the external surfaces with a dry cloth only, do not use chemicals.

FAULTS, REPAIRS & RETURNS

This product contains no user serviceable parts. Please contact your local supplier.

STORAGE AND TRANSPORT

The product should be transported and stored in its original packaging.

DISMANTLE & ENVIRONMENT

Dispose of packaging and product in a responsible manner, this may include recycling at your nearest recycling centre. Including the re-use and recycling of the materials & packaging of this product. Contact your local authority to find the nearest electrical and electronic equipment waste disposal point. This product must not be disposed of with regular household waste.

CERTIFICATION AND CONTACT DETAILS

EU CE DECLARATION OF CONFORMITY (DoC)

Hereby, ASSA ABLOY Australia Pty Ltd declares that the ES2600 Series Electric Strike is in compliance with the CE Directives including the Electromagnetic Compatibility (EMC) directive, Restriction of Hazardous Substances (RoHS) directive & Registration, Evaluation, Authorisation and Restriction of Chemicals (REACH) Regulation.

The full text of the EU declaration of conformity is available at www.trimec.com.au/au/en/products/electric-strikes/es2600-series-monitored-electric-strike-

UKCA DECLARATION OF CONFORMITY (DoC)

Hereby, ASSA ABLOY Australia Pty Ltd declares that the ES2600 Series Electric Strike is in compliance with the United Kingdom (UK) legislations including the Electromagnetic Compatibility, Restriction of the Use of Certain Hazardous Substances in Electrical and Electronic Equipment & the Registration, Evaluation, Authorisation and Restriction of Chemicals (REACH) Regulations.

The full text of the UKCA declaration of conformity is available at www.trimec.com.au/au/en/products/electric-strikes/es2600-series-monitored-electric-strike-

RCM Australia & New Zealand

Hereby, ASSA ABLOY Australia Pty Ltd declares that the ES2600 Series Electric Strike is in compliance with the Regulatory Compliance Mark (RCM) for Australia and New Zealand.

Manufacturer details

ASSA ABLOY Australia Pty Ltd.
235 Huntingdale Road, Melbourne
Victoria, 3166, Australia
Phone: 1300 LOCK UP (1300 562 587)
www.assaabloyopeningsolutions.com.au

UK Representative

ASSA ABLOY Opening Solutions
School Street, Willenhall, West Midlands
WV13 3PW, United Kingdom
www.assaabloyopeningsolutions.com.uk

