

MAINTENANCE, STORAGE, AND DISPOSAL

MAINTENANCE

Clean the external surfaces with a dry cloth only, do not use chemicals.

FAULTS, REPAIRS & RETURNS

This product contains no user serviceable parts. Please contact your local supplier.

STORAGE AND TRANSPORT

The product should be transported and stored in its original packaging.

DISMANTLE & ENVIRONMENT

Dispose of packaging and product in a responsible manner, this may include recycling at your nearest recycling centre. Including the re-use and recycling of the materials & packaging of this product. Contact your local authority to find the nearest electrical and electronic equipment waste disposal point. This product must not be disposed of with regular household waste.



In the European Union, Norway, Iceland and Liechtenstein, this symbol on the product, or in the manual and in the warranty, and/or its packaging indicates that this product shall not be treated as household waste. Instead it should be taken to an applicable collection point for the recycling of electrical and electronic equipment.

By ensuring this product is disposed of correctly, you will help to prevent potential negative consequences to the environment and human health, which could otherwise be caused by inappropriate handling of this product.

IMPORTANT SAFETY INSTRUCTIONS AND WARNINGS

1. Read and follow all instructions prior to installing and using this product.
2. These instructions or a full copy of these instructions should be provided to the user.
3. These instructions should be kept by the end user for future reference.
4. Obey and heed all warnings on the product and in the manual.
5. Ensure the functionality, specification and configuration of the lock is befitting for the intended application and environment. This may include in the event of a power failure and the ability to exit any building access point in an emergency.
6. Do not use this unit near excess water or moisture not typical to natural rainfall and installation practices i.e., installed in a door frame/enclosure.
7. Do not use this unit in environments with excessive in-air dust that could accumulate and prevent correct operation.
8. Avoid prolonged exposure to direct sunlight or heat.
9. This product is not suitable for environments with explosive or flammable atmospheres.
10. Only use attachments, accessories and fixings as specified by the manufacturer.
11. Clean with a dry cloth only, do not use chemicals.
12. Refer all servicing to qualified service personnel. Servicing or replacement is required when the unit has been damaged. This may include either mechanical or electrical issues. This may also include ingress of liquid spilled or objects which have fallen into the unit or if the unit has been exposed to excessive rain or moisture and no longer operates normally. Do not attempt to service this product yourself.
13. Opening or removing covers may expose you to dangerous voltages or other hazards.
14. To prevent risk of fire or electric shock ensure the power supply or system is suitable for this product in addition to any other units already sharing the same power supply or system.
15. Do not let objects or liquids enter the product as they may prevent correct operation, possibly preventing door access or short-out parts that could result in a fire or electric shock.
16. Modification of this product in any way may affect both its functionality and compliance status and will void any warranty and claim to compliance, ratings or performance.
17. Ensure the correct power supply is connected and that power cables are of a sufficient gauge to eliminate any voltage drop at the lock. DO NOT connect AC mains power to this product.

IMPORTANT INSTALLATION AND FIXING INSTRUCTIONS

1. Ensure the lock meets your physical (dimensions), grade/rating and electrical specification before going any further. It is recommended to verify that the door & door frame construction allows the use of the device.
2. Before fitting this product to a fire/smoke resisting door, the fire certification should be examined to ensure the suitability of the electromagnetic lock for that door assembly.
3. Before fitting this product, the door should be checked to ensure correct hanging and freedom from binding.
4. The lock shall be installed using the specified fasteners and instructions for the door type and installation the lock is designed for.
5. This product is designed for timber or metal door frames.
6. This lock can be used on double action (double swing) doors.
7. Care shall be taken to ensure that any seal or weather-stripping fitted to the complete assembly, does not inhibit the correct operations of the lock.
8. Fixing instructions must be carefully followed during installation. The instructions and any maintenance instructions must be passed on by the installer to the user.
9. All components specified for the intended installation shall be fitted to ensure compliance.
10. It is important to follow the instructions precisely to ensure the lock is correctly positioned.

Note: Our drop bolt will provide a high degree of safety and reasonable security provided it is fitted to door frames that are suitable and in good condition.

DRAWINGS NOT TO SCALE. INFORMATION IN THIS DATASHEET MAY BE CHANGED WITHOUT NOTICE.

IMPORTANT NOTE: Ensure any rebate strips or door stops are fitted before proceeding.

This product has been designed for use in weather protected areas, and is NOT suitable for use in hazardous (flammable or explosive) atmospheres.

The lock can be installed vertically or horizontally.
Do not fit the lock into a floor cavity, firing upwards.

WIRING OPTIONS AND DETAILS

To utilize all available features, the lock is fitted with eight connectors. Three are for power and control and five for monitors that provide bolt pin and door position information. The lock can be operated in two different modes; fully functioned three wire mode and reduced function two wire mode.

In addition to running the necessary wires for the desired mode, positioning the three dip switches located on the lock printed circuit board determines the operation. These are accessed by removing the cover.

Markings S1, S2 and M are found on the printed circuit board.

Switches S1 and S2 are used to set the timed re-lock. If an unlock signal is given to the lock, but the door is not opened, the TB25KO can automatically lock itself again after a selected time. This ensures that a door cannot be left unsecured if it has been unlocked but not opened. The timer is factory set to 9 seconds, but 0, 3 and 6 second options are offered and selected by positioning the dip switches accordingly.

Switch M is used to select fail safe or fail secure mode. This is factory set as ordered and the only time it will need to be moved is when operating a fail safe lock in the two wire mode.

FEATURES	3 WIRE MODE	2 WIRE MODE
Multiple re-lock (fail safe)	Yes 9x	Yes 5x
Multiple unlock (fail secure)	Yes 5x	Yes 5x
Auto re-lock	Yes	Fail safe only
Anti-Tamper	Yes	Yes
Fail Safe - dip switch 3	Off	N/A
Fail Secure - dip switch 3	On	On
Adjustable timed re-lock	Yes	No

TIMER	SWITCH POSITIONS
0 second timed re-lock	S1 On & S2 On
3 second timed re-lock	S1 Off & S2 On
6 second timed re-lock	S1 On & S2 Off
9 second timed re-lock (default)	S1 Off & S2 Off

Always ensure the correct transformer and cable guide is specified and used.

Electrical specifications			
Voltage supply	12VDC to 24VDC		
Current draw	Max holding current	160mA@12VDC	95mA@24VDC
	Max operating current	1250mA@12VDC	1000mA@24VDC
Monitor Switch Rating	Bolt position	500mA@25VDC	
	Door position	500mA@100VDC	

CAUTION! Incorrect supply voltage may cause damage not covered by warranty.

Please check supply voltage with a suitable meter to ensure voltage is within $\pm 10\%$ of nominal voltage of 12VDC to 24VDC with the lock powered.

**This product has been designed for use in weather protected areas only.
DO NOT OIL OR LUBRICATE.**

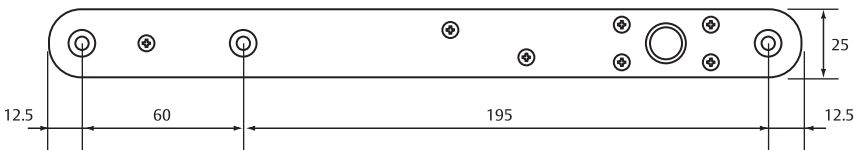
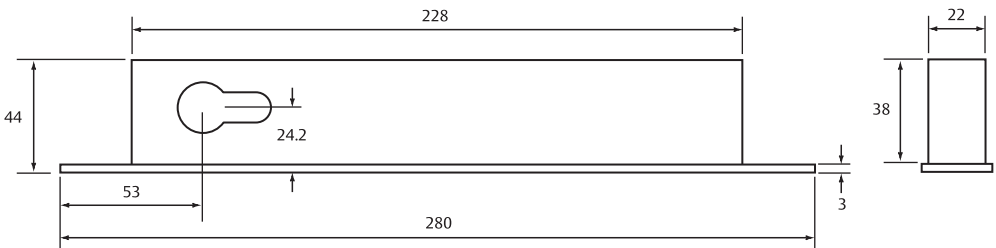
This product has been lubricated when assembled and additional lubrication will void the warranty.

DROP BOLT DIMENSIONS



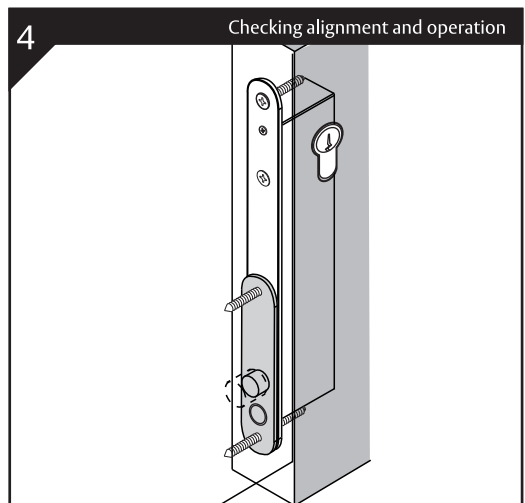
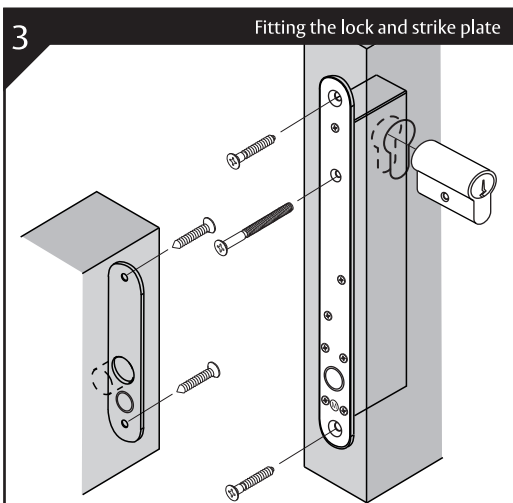
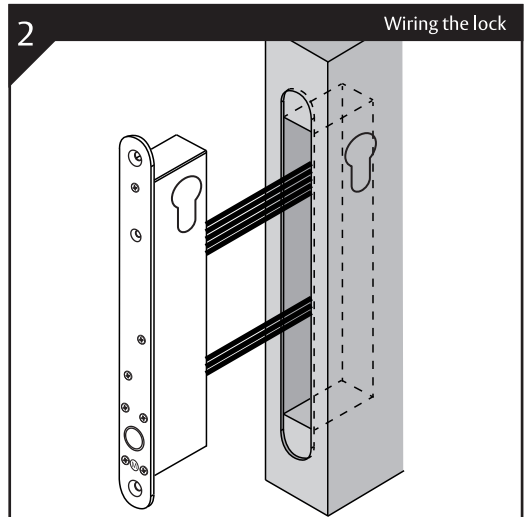
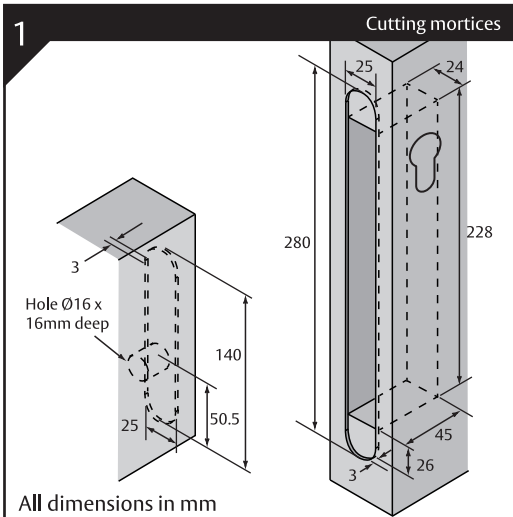
EURO PROFILE CYLINDER OPTIONS (Not supplied)

- Single cylinder (Key can project from either side)
- Cylinder & turn (Key outside, thumbturn inside)
- Double cylinder (Key both sides)



INSTALLATION AND DOOR PREPARATION

1. Cut mortices into the door and frame, for the strike plate and lock as per the dimensions shown. The bottom end of the strike plate must be aligned with the bottom of the lock, so the bolt pin goes centrally into the hole in the strike plate. The gap between the lock face plate and strike plate must not exceed 6mm when the door is closed.
2. Once the desired wiring is chosen, run the wires into the rear of the mortice, and connect to the lock. There are screw terminals for each wire, and a connector guide is shown on the lock cover.
3. Slide the lock back into the mortice, making sure the wiring integrity is maintained. Secure the lock and strike plate in place, using the supplied mounting screws. Ensure that the hole behind the strike plate is free from swarf and is deep enough to allow the lock pin to fully extend when locked.



Additional accessories are available for optional mounting & spare parts (not supplied):

None

CONTENTS

Before starting the installation, ensure that all components listed below are supplied:

- Lock
- Strike plate
- Mounting screws
- Cylinder screw
- Installation instructions
- Warranty sheet

CERTIFICATION AND CONTACT DETAILS

EU CE DECLARATION OF CONFORMITY (DoC)

Hereby, ASSA ABLOY Australia Pty Ltd declares that the TB25KO Drop Bolt is in compliance with the CE Directives including the Electromagnetic Compatibility (EMC) directive, Restriction of Hazardous Substances (RoHS) directive & Registration, Evaluation, Authorisation and Restriction of Chemicals (REACH) Regulation.

The full text of the EU declaration of conformity is available at www.trimec.com.au/au/en/products/electromechanical-bolts/trimec-tb25ko-drop-bolt

UKCA DECLARATION OF CONFORMITY (DoC)

Hereby, ASSA ABLOY Australia Pty Ltd declares that the TB25KO Drop Bolt is in compliance with the United Kingdom (UK) legislations including the Electromagnetic Compatibility, Restriction of the Use of Certain Hazardous Substances in Electrical and Electronic Equipment & the Registration, Evaluation, Authorisation and Restriction of Chemicals (REACH) Regulations.

The full text of the UKCA declaration of conformity is available at www.trimec.com.au/au/en/products/electromechanical-bolts/trimec-tb25ko-drop-bolt

RCM Australia & New Zealand

Hereby, ASSA ABLOY Australia Pty Ltd declares that the TB25KO Drop Bolt is in compliance with the Regulatory Compliance Mark (RCM) for Australia and New Zealand.

Manufacturer details

ASSA ABLOY Australia Pty Ltd.
235 Huntingdale Road, Melbourne
Victoria, 3166, Australia
Phone: 1300 LOCK UP (1300 562 587)
www.assaabloyopeningsolutions.com.au

UK Representative

ASSA ABLOY Opening Solutions
School Street, Willenhall, West Midlands
WV13 3PW, United Kingdom
www.assaabloyopeningsolutions.com.uk

