

ACCESSORIES

Additional accessories are available for optional mounting & spare parts (not supplied):

EMZ4B-DLZ	L and Z Brackets - Z4 Double
EMZ8B-DLZ	L and Z Brackets - Z8 Double
EMZ4B-GA	Glass Door Armature Plate - Z4
EMZ8B-GA	Glass Door Armature Plate - Z8
EMZ4B-GU	Glass Door "U" Bracket (12mm Glass) - Z4
EMZ8B-GU	Glass Door "U" Bracket (12mm Glass) - Z8
EMZ4B-DMP	Mounting Plates - Z4 Double
EMZ8B-DMP	Mounting Plates - Z8 Double
EMZ4B-AN	Armature Bracket - Z4 Non-Monitored
EMZ4B-AM	Armature Bracket - Z4 Monitored
EMZ8B-AN	Armature Bracket - Z8 Non-Monitored
EMZ8B-AM	Armature Bracket - Z8 Monitored
EMZ4SP-SC	Screw Kits - Z4
EMZ8SP-SC	Screw Kits - Z8
EMZ4SP-PCBM	PCBs - Z4 Monitored
EMZ8SP-PCBM	PCBs - Z8 Monitored

CONTENTS

Before starting the installation, ensure that all components listed below are supplied:

- Z4/Z8 Double Series EML
- Armatures
- Screw packs
- Mounting plate
- Template
- Installation instructions
- Warranty sheet

IMPORTANT SAFETY INSTRUCTIONS AND WARNINGS

1. Read and follow all instructions prior to installing and using this product.
2. These instructions or a full copy of these instructions should be provided to the user.
3. These instructions should be kept by the end user for future reference.
4. Obey and heed all warnings on the product and in the manual.
5. Ensure the functionality, specification and configuration of the electromagnetic lock is befitting for the intended application and environment. This may include in the event of a power failure and the ability to exit any building access point in an emergency.
6. Do not use this unit near excess water or moisture not typical to natural rainfall and installation practices i.e., installed in a door frame/enclosure.
7. Do not use this unit in environments with excessive in-air dust that could accumulate and prevent correct operation.
8. Avoid prolonged exposure to direct sunlight or heat.
9. This product is not suitable for environments with explosive or flammable atmospheres.
10. Only use attachments, accessories and fixings as specified by the manufacturer.
11. Clean with a dry cloth only, do not use chemicals.
12. Refer all servicing to qualified service personnel. Servicing or replacement is required when the unit has been damaged. This may include either mechanical or electrical issues. This may also include ingress of liquid spilled or objects which have fallen into the unit or if the unit has been exposed to excessive rain or moisture and no longer operates normally. Do not attempt to service this product yourself.
13. Opening or removing covers may expose you to dangerous voltages or other hazards.
14. To prevent risk of fire or electric shock ensure the power supply or system is suitable for this product in addition to any other units already sharing the same power supply or system.
15. Do not let objects or liquids enter the product as they may prevent correct operation, possibly preventing door access or short-out parts that could result in a fire or electric shock.
16. Modification of this product in any way may affect both its functionality and compliance status and will void any warranty and claim to compliance, ratings or performance.
17. Ensure the correct power supply is connected. DO NOT connect AC mains power to this product.

INSTALLATION INSTRUCTIONS

DRAWINGS NOT TO SCALE. INFORMATION IN THIS DATASHEET MAY BE CHANGED WITHOUT NOTICE.

IMPORTANT NOTE: Ensure any rebate strips or door stops are fitted before proceeding.

This product has been designed for use in weather protected areas, and is NOT suitable for use in hazardous (flammable or explosive) atmospheres.

The electromagnetic lock can be installed vertically or horizontally.

IMPORTANT INSTALLATION AND FIXING INSTRUCTIONS

1. Ensure the electromagnetic lock meets your physical (dimensions), grade/rating and electrical specification before going any further. It is recommended to verify that the door & door frame construction allows the use of the device.
2. Before fitting this product to a fire/smoke resisting door, the fire certification should be examined to ensure the suitability of the electromagnetic lock for that door assembly.
3. Before fitting this product, the door should be checked to ensure correct hanging and freedom from binding.
4. The electromagnetic lock shall be installed using the specified fasteners and instructions for the door type and installation the electromagnetic lock is designed for.
5. This product is designed for timber or metal door frames.
6. This electromagnetic lock cannot be used on double action (double swing) doors.
7. Care shall be taken to ensure that any seal or weather-stripping fitted to the complete assembly, does not inhibit the correct operations of the electromagnetic lock.
8. Fixing instructions must be carefully followed during installation. The instructions and any maintenance instructions must be passed on by the installer to the user.
9. All components specified for the intended installation shall be fitted to ensure compliance.
10. It is important to follow the instructions precisely to ensure the electromagnetic lock is correctly positioned.

Note: Our electromagnetic lock will provide a high degree of safety and reasonable security provided it is fitted to door frames that are suitable and in good condition.

MAINTENANCE, STORAGE, AND DISPOSAL

MAINTENANCE

Clean the external surfaces with a dry cloth only, do not use chemicals.

FAULTS, REPAIRS & RETURNS

This product contains no user serviceable parts. Please contact your local supplier.

STORAGE AND TRANSPORT

The product should be transported and stored in its original packaging.

DISMANTLE & ENVIRONMENT

Dispose of packaging and product in a responsible manner, this may include recycling at your nearest recycling centre. Including the re-use and recycling of the materials & packaging of this product. Contact your local authority to find the nearest electrical and electronic equipment waste disposal point. This product must not be disposed of with regular household waste.

Product Specification

- Holding force (approx):
Z8D Series: 550kg - 580kg each door
Z4D Series: 250kg - 280kg each door
- 12VDC and 24VDC operation (selectable)
NOTE: Factory default is 12VDC
- Current draw:
Z8D Series: 900mA @12VDC; 450mA @24VDC
Z4D Series: 960mA @12VDC; 480mA @24VDC

Product Type

- Besides un-monitored versions, all product series have either armature position sensing (APS) or door position sensing (DPS) or both.
- For Z8D and Z4D series, armature position sensing uses hall effect sensor.
- For Z8D and Z4D series, door position sensing uses change-over reed switch sensor.

Z8D and Z4D Series with APS

- The LED operation colour can be field set. The colours can be reversed simply by reversing the 2 pin plug connection on the PCB.
- The factory default setting is as follows:
LED indicator off No power to magnet
LED indicator red Power on magnet; Door open
LED indicator green Power on magnet; Door closed
- **NOTE: Where the EML has both Hall/Bond sensor and the Reed sensor, the LED indicates as per the Hall/Bond model.**

Product Dimensions (L x H x D)

Z8D Series - 532mm (L) x 72mm (H) x 40mm (D)
Z4D Series - 476mm (L) x 48mm (H) x 27mm (D)

PRODUCT PREPARATION AND WIRING

Installation Requirements

- Adjust onboard PCB shunt settings for correct operating voltage prior to applying power to the EML.
- For a 12VDC system, two shunts must be installed:
- First shunt joining pins 1 & 2
- Second shunt joining pins 3 & 4
- For a 24VDC system, **only one shunt** is required, joining pins 2 & 3.

Product Power Input Wiring

For Z8D and Z4D Series, this can be wired directly onto the PCB terminal block that has label + and -.

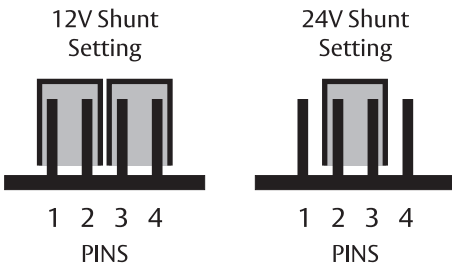
Wiring for Models with APS

For Z8D and Z4D Series, the signal is given out from Single Pole Double Throw (SPDT) relay. Wiring can be done through PCB 3-block terminal, labelled NC, COM, and NO.

Wiring for Models with DPS

For Z8D Series, the signal is given out from the 3 block terminal (NC, COM, NO) that is labelled Reed on the PCB.

For Z4D Series, there are 3 flying leads; Black is COM, green is NO, and white is NC.



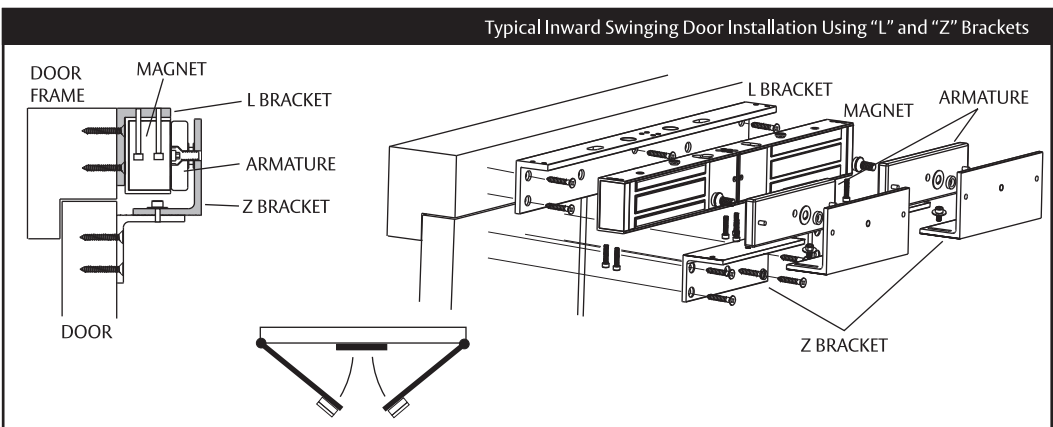
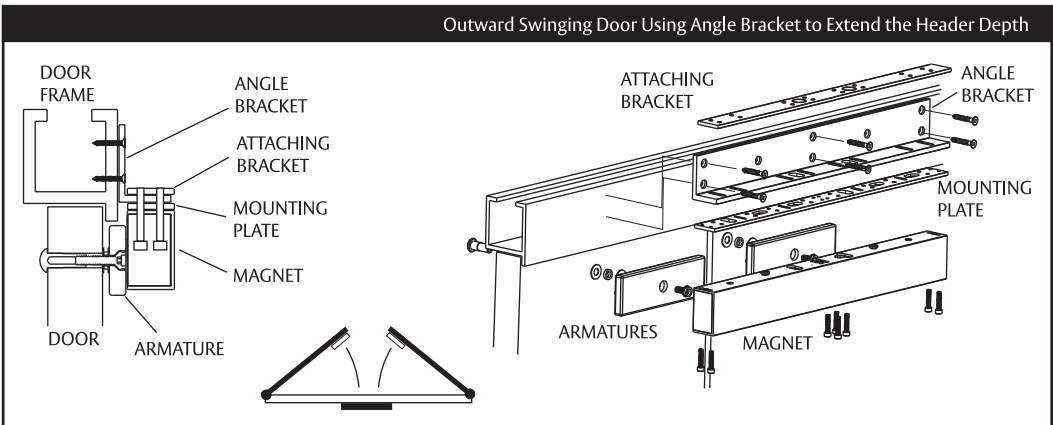
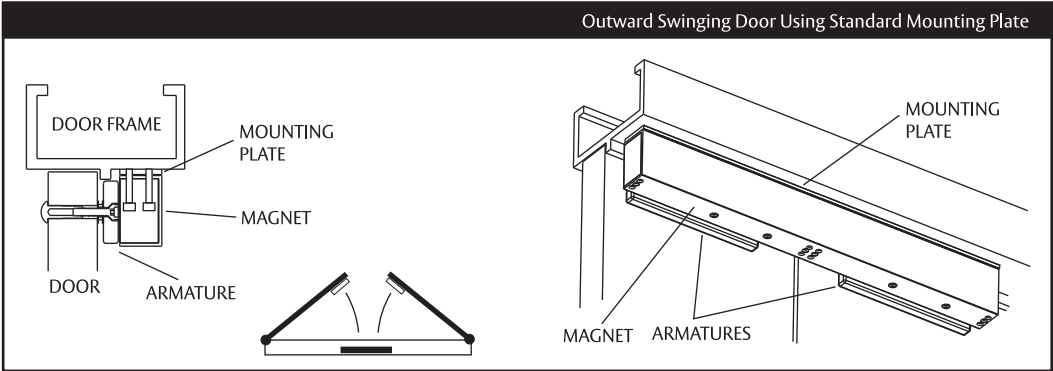
INSTALLATION TO SUIT DIFFERENT DOOR TYPES

The following diagrams indicate possible installation methods.

Determine whether the optional "L" or "Z" brackets, or glass door brackets are required to complete the installation.

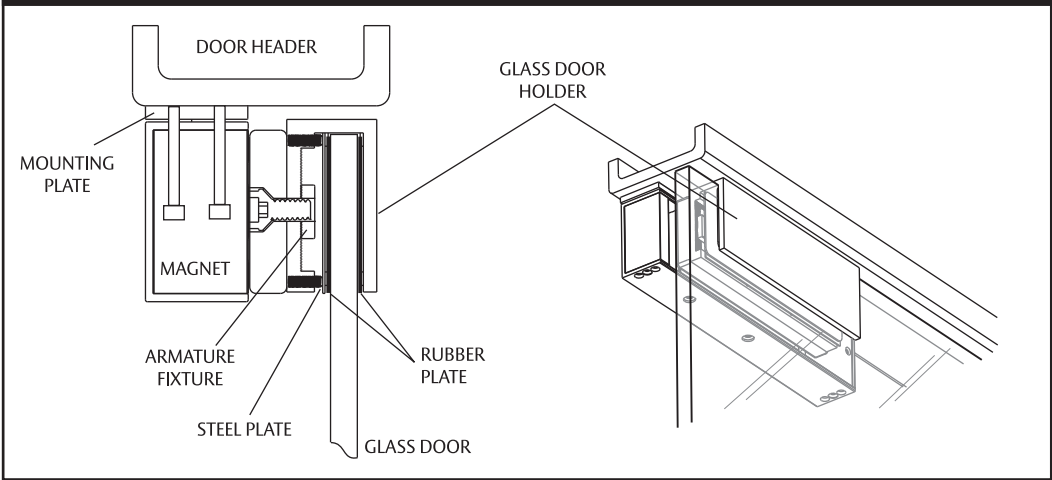
Suitable for door thickness* of 32mm to 45mm (Z8 Model shown).

*Not including glass doors.



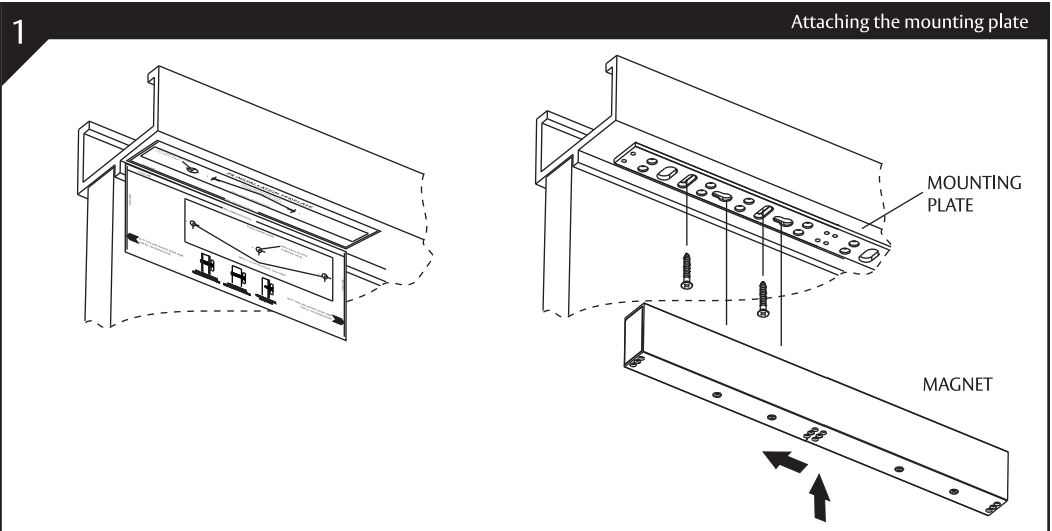
INSTALLATION TO SUIT DIFFERENT DOOR TYPES (CONTINUED)

Glass Door Installations



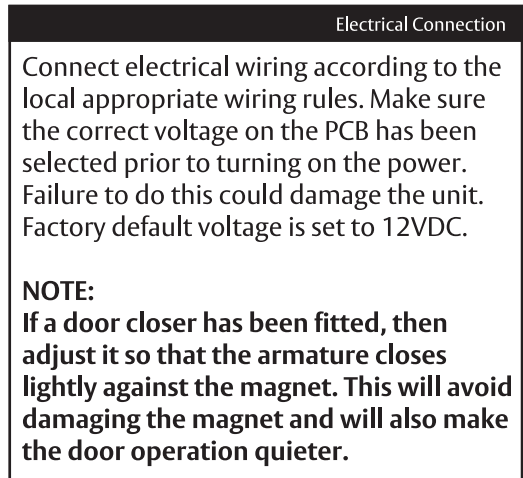
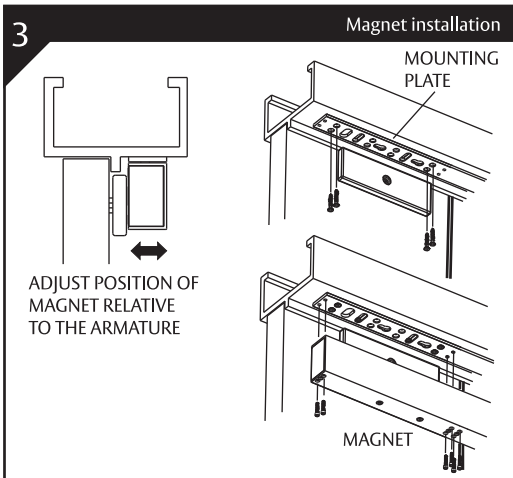
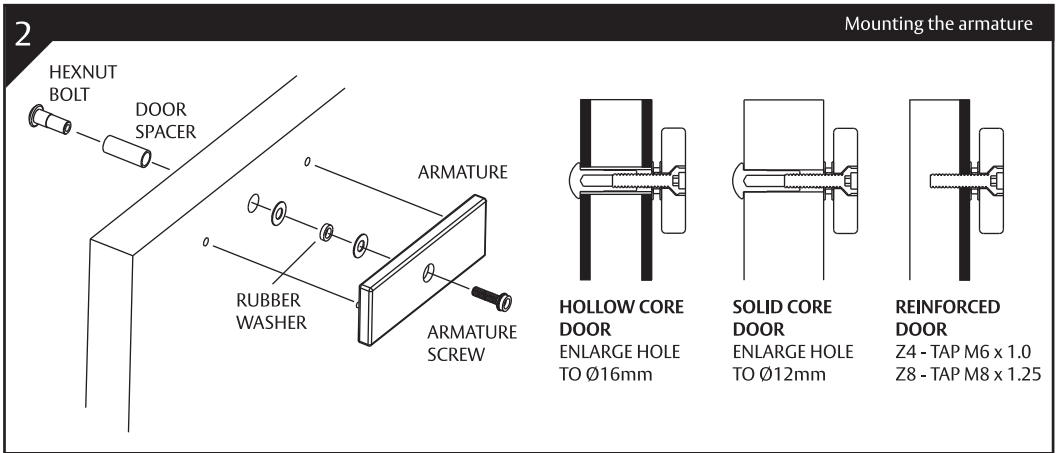
ELECTROMAGNETIC LOCK INSTALLATION

1. Use the supplied template to determine the correct location and size of mounting holes for both the door and frame header. Ensure that the door opens away from the EML. In the case of a single door, the EML is positioned as close as possible to the vertical section of the door jamb.
2. Loosely install the mounting plate using the two of the supplied phillips head mounting screws in the elongated slots. Attach the EML to the mounting plate.



ELECTROMAGNETIC LOCK INSTALLATION (CONTINUED)

- Align the armature plate on the door by sight or using the template supplied.
- Mark and drill holes then mount the armature to the door. Make sure that the armature plate is not over tightened and that it is installed as shown in the following diagram. The armature plate must be free to self align with the door.
- See diagram below to determine the drill and tap sizes of holes for mounting the armature onto different door types.
- Ensure the armature and magnet are aligned. Adjust the mounting plate to suit and then drill the appropriate sized holes in the door header for the remaining attachment screws.



EU CE DECLARATION OF CONFORMITY (DoC)

Hereby, ASSA ABLOY Australia Pty Ltd declares that the Z8 & Z4 Double Series EML is in compliance with the CE Directives including the Electromagnetic Compatibility (EMC) directive, Restriction of Hazardous Substances (RoHS) directive & Registration, Evaluation, Authorisation and Restriction of Chemicals (REACH) Regulation.

The full text of the EU declaration of conformity is available at
www.trimec.com.au/au/en/products/electromagnetic-locking/z4-and-z8-double-series-monitored-electromagnetic-locks
www.trimec.com.au/au/en/products/electromagnetic-locking/z4-and-z8-double-series-non-monitored-electromagnetic-lock

UKCA DECLARATION OF CONFORMITY (DoC)

Hereby, ASSA ABLOY Australia Pty Ltd declares that the Z8 & Z4 Double Series EML is in compliance with the United Kingdom (UK) legislations including the Electromagnetic Compatibility, Restriction of the Use of Certain Hazardous Substances in Electrical and Electronic Equipment & the Registration, Evaluation, Authorisation and Restriction of Chemicals (REACH) Regulations.

The full text of the UKCA declaration of conformity is available at
www.trimec.com.au/au/en/products/electromagnetic-locking/z4-and-z8-double-series-monitored-electromagnetic-locks
www.trimec.com.au/au/en/products/electromagnetic-locking/z4-and-z8-double-series-non-monitored-electromagnetic-lock

RCM Australia & New Zealand

Hereby, ASSA ABLOY Australia Pty Ltd declares that the Z8 & Z4 Double Series EML is in compliance with the Regulatory Compliance Mark (RCM) for Australia and New Zealand.

Manufacturer details

ASSA ABLOY Australia Pty Ltd.
235 Huntingdale Road, Melbourne
Victoria, 3166, Australia
Phone: 1300 LOCK UP (1300 562 587)
www.assaabloyopeningsolutions.com.au

UK Representative

ASSA ABLOY Opening Solutions
School Street, Willenhall, West Midlands
WV13 3PW, United Kingdom
www.assaabloyopeningsolutions.com.uk

